



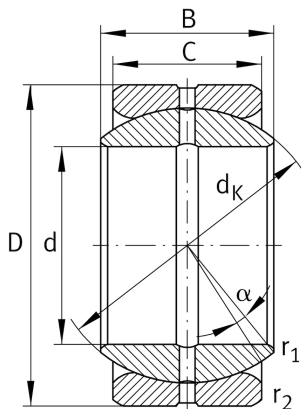
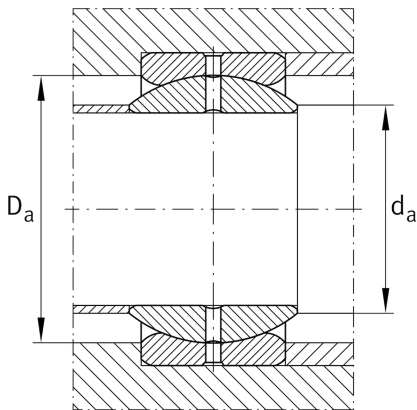
## GE50-ZO

### Spherical plain bearing

Schaeffler ID:  
0526748600000

Radial spherical plain bearing, requiring maintenance, sliding contact surface: steel/steel, inch size, open design

### Technical information



### Main Dimensions & Performance Data

d	50.8 mm	Bore diameter bearing
D	80.963 mm	Outside diameter bearing
B	44.45 mm	Width Inner ring
$C_r$	223,000 N	Basic dynamic load rating, radial
$C_{0r}$	668,000 N	Basic static load rating, radial
	0.911 kg	Weight

### Dimensions

C	38.1 mm	Width Outer ring
$d_K$	73 mm	Ball diameter
$\alpha$	6 °	Tilt angle
$r_{1smin}$	0.6 mm	Edge Spacing
$r_{2smin}$	1 mm	Edge Spacing
$d_{OT}$	0 mm	Bore diameter bearing, upper tolerance
$d_{UT}$	-0.015 mm	Bore diameter bearing, lower tolerance
$D_{OT}$	0 mm	Outside diameter, upper tolerance
$D_{UT}$	-0.015 mm	Outside diameter, lower tolerance
$B_{OT}$	0 mm	Width inner ring, upper tolerance
$G_r$	0,08 - 0,18 mm	Radial Clearance
$B_{UT}$	-0.15 mm	Width inner ring, lower tolerance
$C_{OT}$	0 mm	Width outer ring, upper tolerance

### Mounting dimensions

$d_{a max}$	57.9 mm	Connection measure Inner ring
$D_{a min}$	65 mm	Housing Connection Diameter

### Temperature range

$T_{min}$	-60 °C	Operating temperature min.
$T_{max}$	200 °C	Operating temperature max.